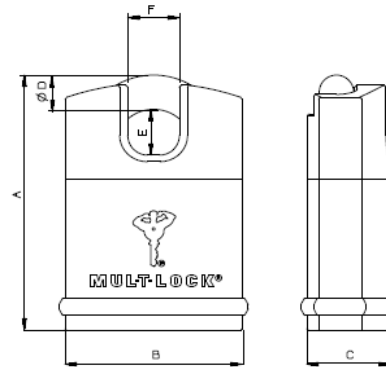


E - Series Open Shackle Padlocks



MUL-T-LOCK®

www.mul-t-lock.co.uk



Padlock	Body				Shackle			CEN	
	A	B	C	D	E				
					C1	C2	C3		
E8-L	82	52	33	8	14	50	102	26	4
E11-L	94	62	34	11	16	58	102	29	4
E14-L	104	72	34	14	19	63	102	32	6

Application:

A high security open shackle padlock, for use on commercial, Industrial and residential applications.

Specification:

Body: Hardened Steel
 Shackle: Hardened boron alloy steel
 Finish: Black electrophoretic

Features:

- Pop open shackle with retaining key
- Variety of shackle sizes - 8, 11, 14, 18
- Double ball bearing locking mechanism
- Highly pick and drill resistant
- Protective shutter preventing dust ingress



Additional Features:

Coloured band for ease of identifying size:

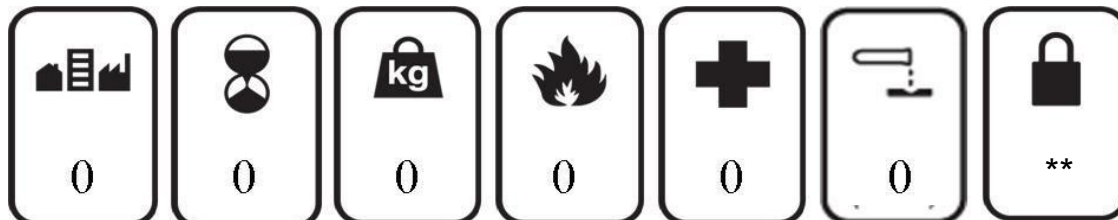
- E 8mm - Yellow
- E 11mm - Green
- E 14mm - Red
- E 18mm - Blue

Variants:

- Available on the following cylinder platforms:
- Integrator
- MT5
- Interactive
- Can be supplied keyed differ, keyed alike or master keyed with other cylinders and padlocks.

Standards:

CEN Rating—Please see chart (Page 1)



** See page 1 for individual standard grade